



Mission Instruments

a subsidiary of Sotter Engineering Corporation

28705 Loma Verde

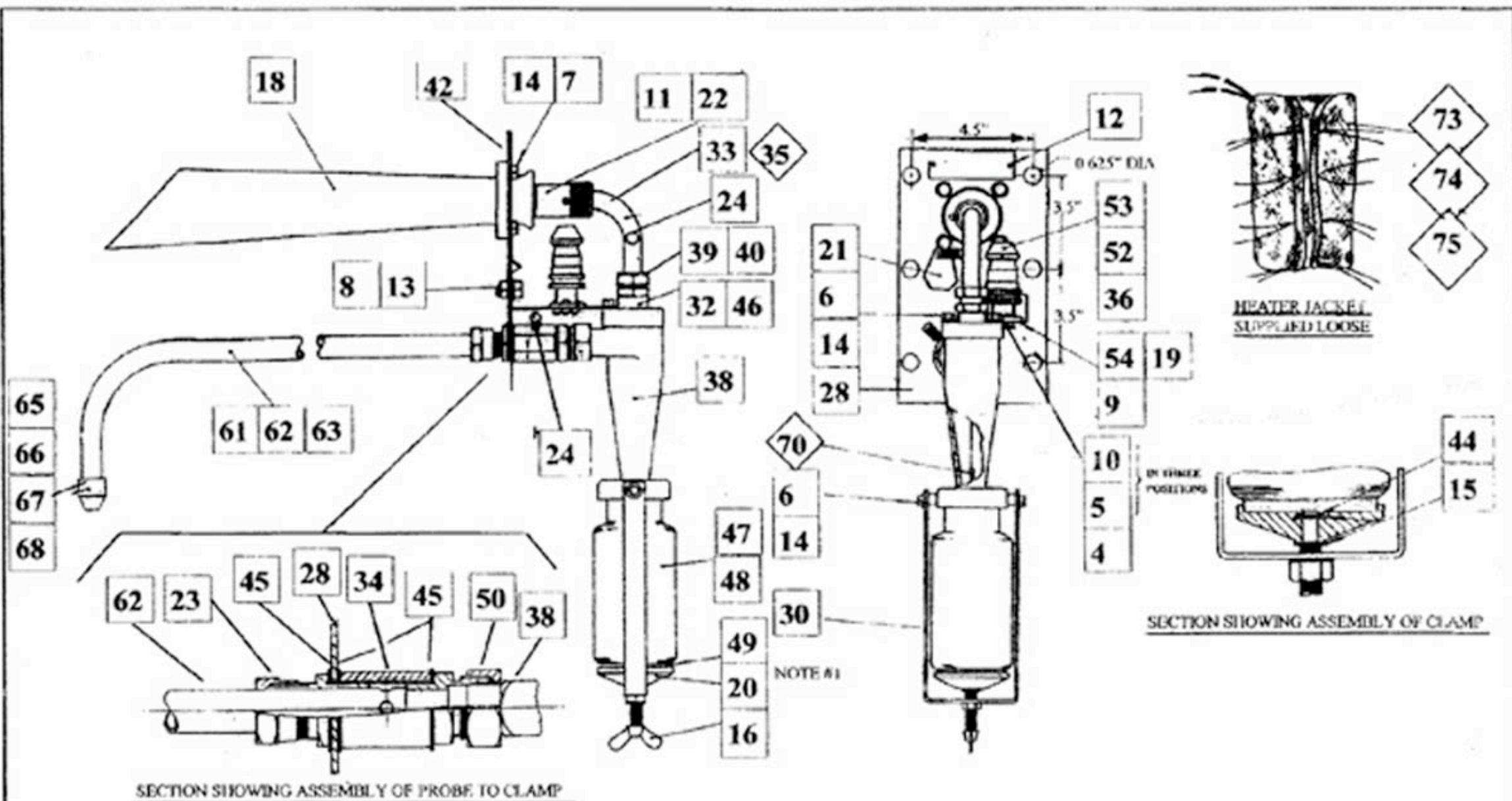
Mission Viejo, California 92691-6055 USA

Web: www.missionist.com

Telephone: 949-582-0889

FAX: 949-916-2193

Email: missionist@aol.com



SEE ATTACHED TWO-PAGE PARTS LIST

NOTE #1: GLUE FELT WASHER ITEM 49, TO FIXING CUP ITEM 20, WITH COMMON ADHESIVE.

xx = OPTIONAL ACCESSORY

| rev number | date |
|------------|----------------|
| ORIGINAL | MARCH 6, 1998 |
| ONE | APRIL 17, 1998 |
| TWO | |
| THREE | |
| FOUR | |

SPARE PARTS DRAWING FOR:
CEGRIT AUTOMATIC FLY ASH SAMPLER
CEGRIT BASIC SET PART# M71608602
DRAWING NO. ATP001